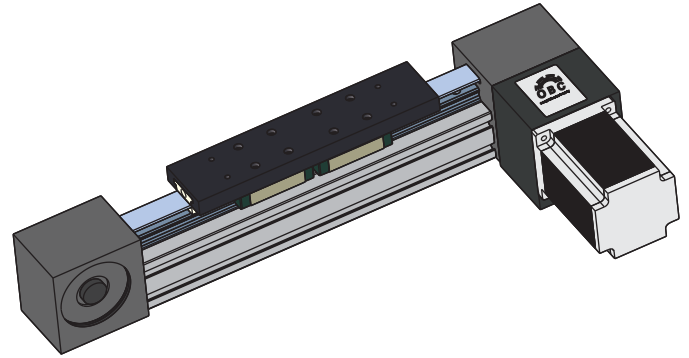
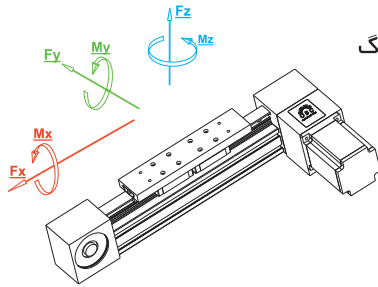
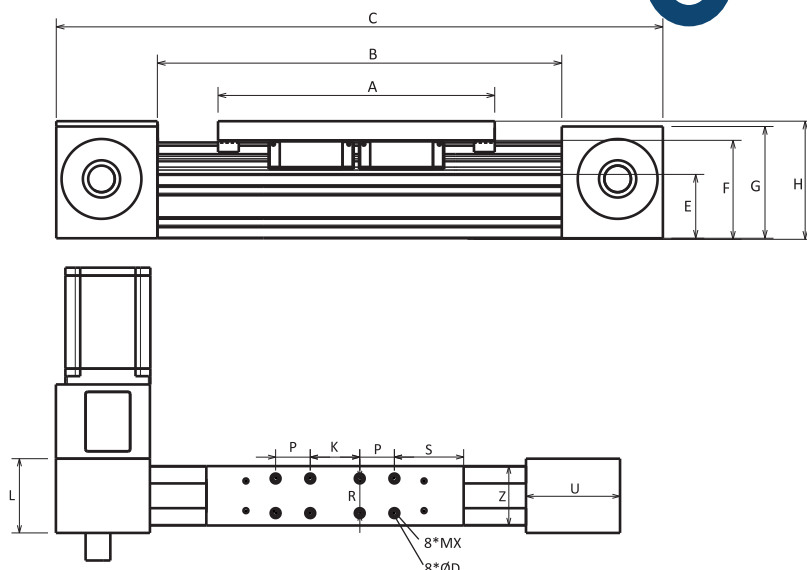


## 60\*60 T

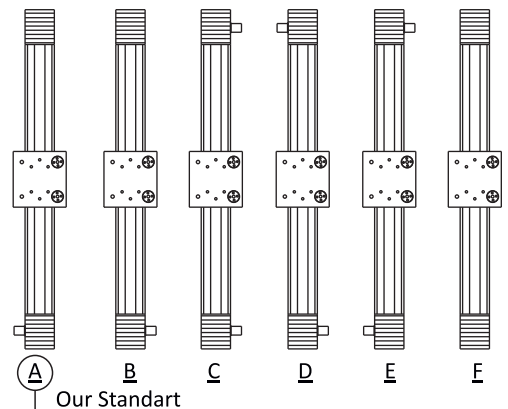
مدول های خطی با سیستم حرکتی تسمه تایمینگ



Load	Static	
<span style="color: red;">■</span> F <sub>x</sub>	(N)	2050
<span style="color: green;">■</span> F <sub>y</sub>	(N)	3730
<span style="color: blue;">■</span> F <sub>z</sub>	(N)	4125
Moment		
<span style="color: red;">■</span> M <sub>x</sub>	(Nm)	410
<span style="color: green;">■</span> M <sub>y</sub>	(Nm)	336
<span style="color: blue;">■</span> M <sub>z</sub>	(Nm)	330



Drive Shaft Directions



Our Standart

Unit : mm

کد کالا	A	B	C	E	F	G	H	P	S	K	R	L	Z	U	X	ØD	قیمت	
																	دلار	تومان
60*60 T	260	380	570	60	93	105	111	35	70	50	35	75	60	95	6	10		
Body	60*60 Profile Aluminum (6063)							Linear Block				TRH25VN						
Max Speed	5 m/sec							Belt Tensile Force				2000 N						
Pitch	200 mm							Belt Pitch				5 mm						
Timing Belt	5M-25							Max Length				4000 mm						
Timing Pulley	40-5M-25							Positioning accuracy				0,01 mm						